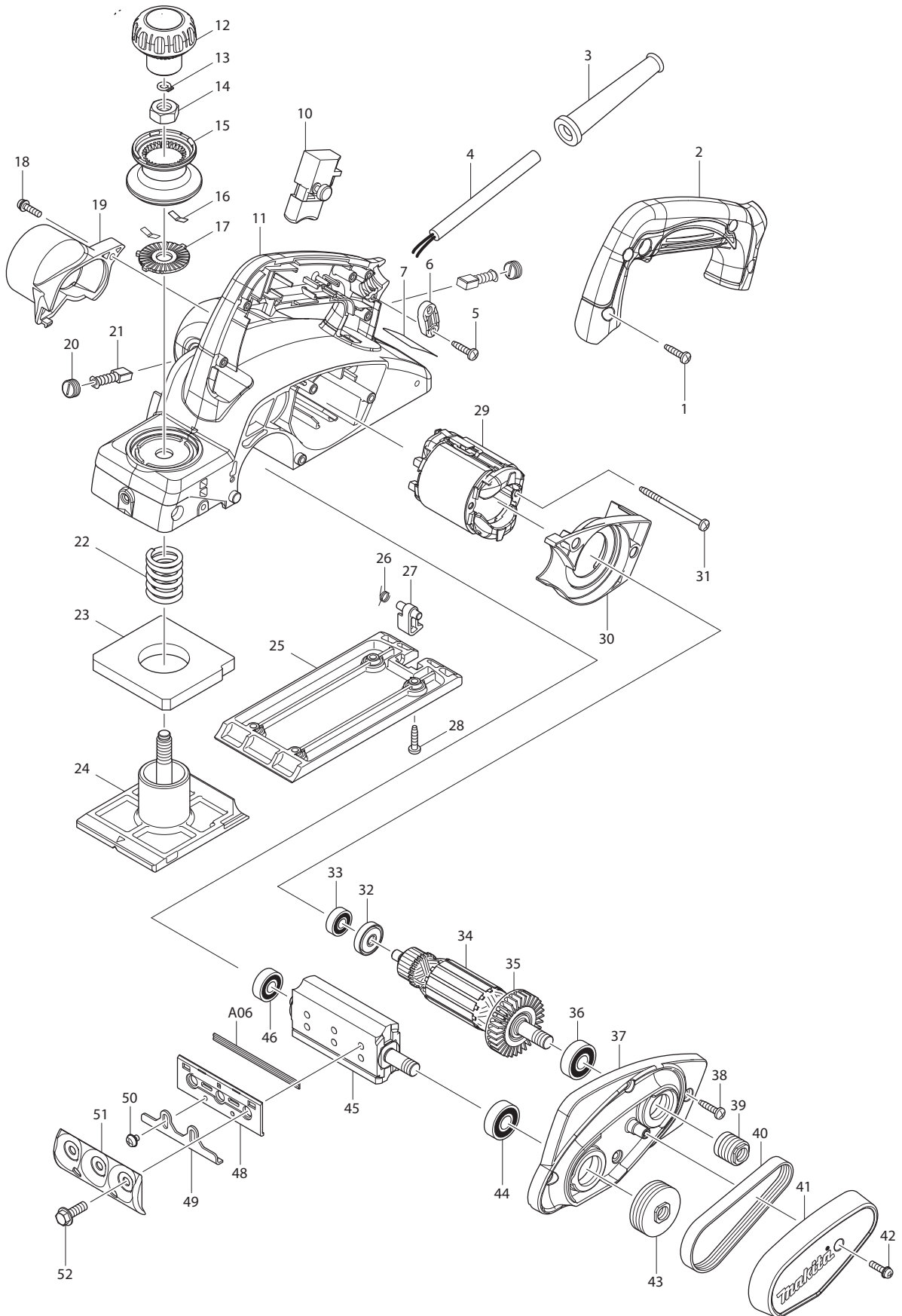




01 - 2012
KP0800 / KP0800K / KP0800KX
3-1/4" PLANER KIT



PARTS LIST

Item No	Type	Part No	Description	Qty	Unit
001	2	265A48-7	TAPPING SCREW 4X18	4	PC.
002		451314-4	HANDLE COVER	1	PC.
003		682502-4	CORD GUARD 8-85	1	PC.
004		664064-4	CORD W/PLUG 2P-18-2.5M, SJ	1	PC.
005	2	265A48-7	TAPPING SCREW 4X18	2	PC.
006		687063-9	CORD CLAMP (STRAIN RELIEF)	1	PC.
007		867138-2	KP0800 NAME PLATE	1	PC.
010		650236-7	SWITCH SGEL115CDY-13	1	PC.
011		140198-2	MAIN FRAME COMPLETE	1	PC.
011	INC.	643455-2	BRUSH HOLDER 6X9	2	PC.
011	INC.	810581-4	CAUTION LABEL	1	PC.
012		451328-3	KNOB COVER	1	PC.
013		961004-6	RETAINING RING S-8	1	PC.
014		264028-4	HEX. NUT M10	1	PC.
015		451325-9	KNOB	1	PC.
016		232185-6	LEAF SPRING	2	PC.
017		346110-2	CAM PLATE	1	PC.
018		911128-8	PAN HEAD SCREW M4X16	1	PC.
019		451393-2	CHIP COVER	1	PC.
020		643550-8	BRUSH HOLDER CAP 5-8	2	PC.
021		195008-8	CARBON BRUSH CB-408 2PC/SET (W/ ORIGIN)	1	SET
022	1	231004-3	COMPRESSION SPRING 18	1	PC.
022	2	233395-8	COMPRESSION SPRING 18	1	PC.
023		421007-7	RUBBER PACKING	1	PC.
024	2	319010-9	FRONT BASE	1	PC.
025	2	319009-4	BASE	1	PC.
026		231698-4	TORSION SPRING 7	1	PC.
027		451392-4	FOOT	1	PC.
028	2	265A48-7	TAPPING SCREW 4X18	4	PC.
029		590025-7	FIELD ASS'Y 115V	1	PC.
029	INC.	654555-3	CONNECTOR 34130	2	PC.
029	INC.	654100-4	RING TERMINAL	2	PC.
030		451327-5	BAFFLE PLATE	1	PC.
031	2	266334-3	TAPPING SCREW 4X60	2	PC.
032		681652-2	INSULATION WASHER	1	PC.
033		210017-7	BALL BEARING 607DDW	1	PC.
034		515791-5	ARMATURE ASS'Y 115V	1	PC.
034	INC.	*****	Item No. 32, 33, 35, 36	1	PC.

Item No	Type	Part No	Description	Qty	Unit
035		240052-1	FAN 46	1	PC.
036		211088-7	BALL BEARING 6000DDW	1	PC.
037		140201-9	BRACKET COMPLETE	1	PC.
037	INC.	263002-9	RUBBER PIN 4	2	PC.
038	2	265A48-7	TAPPING SCREW 4X18	4	PC.
039	2	222125-2	V PULLEY 4-20L (TYPE2)	1	PC.
040		225007-7	POLY V-BELT 4-241	1	PC.
041		451326-7	BELT COVER	1	PC.
042	2	911138-5	PAN HEAD SCREW M4x20	1	PC.
043	2	222126-0	V PULLEY 4-37 (TYPE2)	1	PC.
044		211088-7	BALL BEARING 6000DDW	1	PC.
045		161061-6	DRUM	1	PC.
046		211032-4	BALL BEARING 608ZZ	1	PC.
048		343433-9	SET PLATE F/MINI BLADE	2	PC.
049	1	347027-2	* ADJUST PLATE (Bulk production use)	2	PC.
049	2	345644-2	* ADJUST PLATE	2	PC.
050		265132-2	+ PAN HEAD SCREW M4X5	4	PC.
051	2	187679-5	DRUM PLATE (2PCS/SET)	1	SET
052		251609-3	HEX. FLANGE HEAD BOLT M6X17	6	PC.
100		652008-6	PAN HEAD SCREW M3.5X7(FOR SWITCH)	2	PC.
101		654117-7	INSULATING TERMINAL(FOR SWITCH)	2	PC.
102		654558-7	INSULATED CONNECTOR(FOR SWITCH)	1	PC.
300		870443-8	CARTON	1	PC.
A01	5	191C19-9	BLADE GAUGE ASS'Y - PKG	1	PC.
A01	5	INC. 265131-4	PH SCREW M5X18	2	PC.
A01	5	INC. 418465-6	GAUGE PLACE	1	PC.
A01	5	INC. 122695-0	BLADE GAUGE ASSY	1	PC.
A02		782209-3	SOCKET WRENCH 9	1	PC.
A03	2	195055-9	GUIDE RULE	1	PC.
A03	2	INC. 265785-7	THUMB SCREW M5X10(FOR GUIDE RULE)	1	PC.
A03	2	INC. 165581-2	GUIDE RULE SET	1	PC.
A05		824892-1	PLASTIC CARRYING CASE	1	PC.
A05		INC. 163455-1	LATCH	2	PC.
A05		INC. 419360-3	HANDLE	1	PC.
A06		D-17239	SET PLATE&MINI BLADE SET	1	SET
A06		D-16966	3-1/4"C.T MINI PLANER BLADE,35 DEGREE (2PCS/SET)	1	SET
A06	Opt.	-----	3-1/4" PLANER BLADES		
A07		INC. 410602-8	FASTENER	1	PC.
A07	2	191C21-2	DUST BAG ASS'Y - PKG (use with 451329-1 Nozzle)	1	PC.

Item No	Type	Part No	Description	Qty	Unit
A08	2	191C17-3	SHARPENING HOLDER ASS'Y - PKG	1	PC.
A09		123060-6	BEVEL GUIDE ASSY	1	PC.
A09	INC.	911221-8	PAN HEAD SCREW M5X16	2	PC.
A09	INC.	934201-7	WING NUT M5	2	PC.
A09	INC.	923211-9	CAP SQUARE NECK BOLT M5X12	2	PC.
A10		191725-8	EXTENSION GUIDE SET	1	SET
A10	INC.	252045-6	SQUARE NUT M5	2	PC.
A10	INC.	911201-4	PAN HEAD SCREW M5X8	2	PC.
A11		193540-6	SET PLATE (FOR MINI PLANER BLADE) (2PC/SET)	1	SET
A11	INC.		Item No. 48		
A12	2	191C20-4	ELBOW - Packaged	1	PC.
A13		451329-1	NOZZLE	1	PC.
A14		794061-7	DRESSING STONE 150-1200	1	PC.

SERVICE CHANGES: KP0800

1. Changes on Adjust Plate

(T/I#B0536)

Item No.	Description	Type 1	Type 2
49	ADJUST PLATE	347027-2	345644-2

Use 345644-2 (x2) for repair